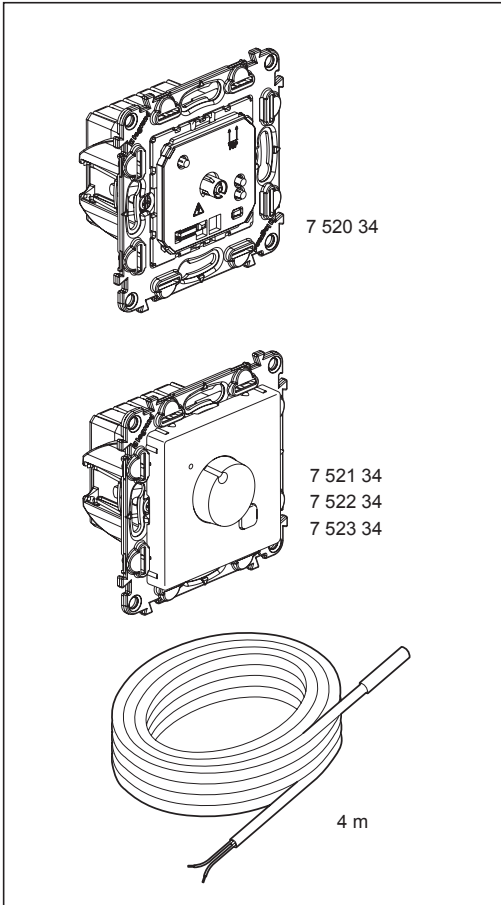


Valena™ INMATIC
7 520 34

Valena™ Life
7 521 34, 7 522 34, 7 523 34



			ΔK
- 10°C ... +70°C	0°C ... +40°C	 1 ... 6 (10°C...60°C)	± 2K
≤ 20 m	250 V~ 16 A, cos φ = 1	6 mm 1,5 ... 4 mm ²	

