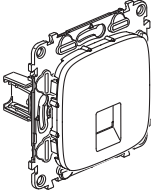
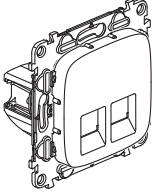


RJ11:
7 537 38, 7 538 38, 7 539 38, 7 539 48

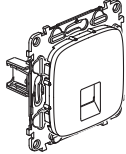



RJ45:
7 537 40 / 42,
7 538 40 / 42,
7 539 40 / 42,
7 539 50 / 52



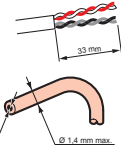
2xRJ45:
7 537 43, 7 538 43, 7 539 43, 7 539 53

7 537 38, 7 538 38, 7 539 38, 7 539 48

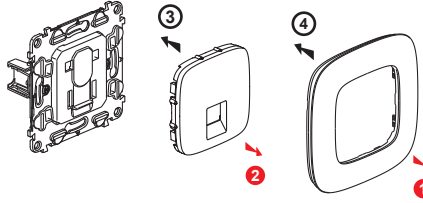




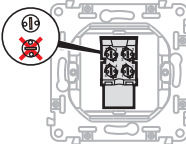
RJ11
4321



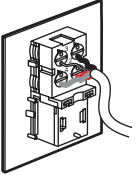


33 mm
26 AWG ϕ <math>< 21</math> AWG
 $\phi</math> 1.4 mm max.$



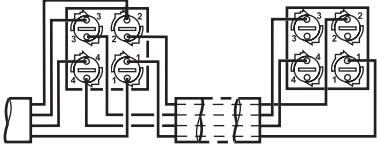
1. Insert RJ11 connector into the module.
2. Push the module into the wall plate.
3. Push the wall plate into the backplate.
4. Push the backplate into the mounting box.

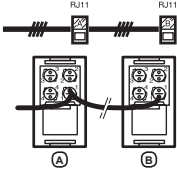


NT → TL_n → TL_n

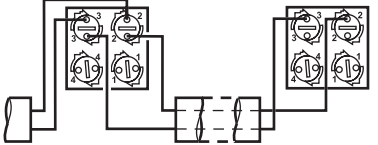




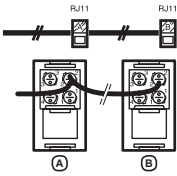
OK ✓





A





B

7 537 40 / 42 / 43, 7 538 40 / 42 / 43, 7 539 40 / 42 / 43, 7 539 50 / 52 / 53

